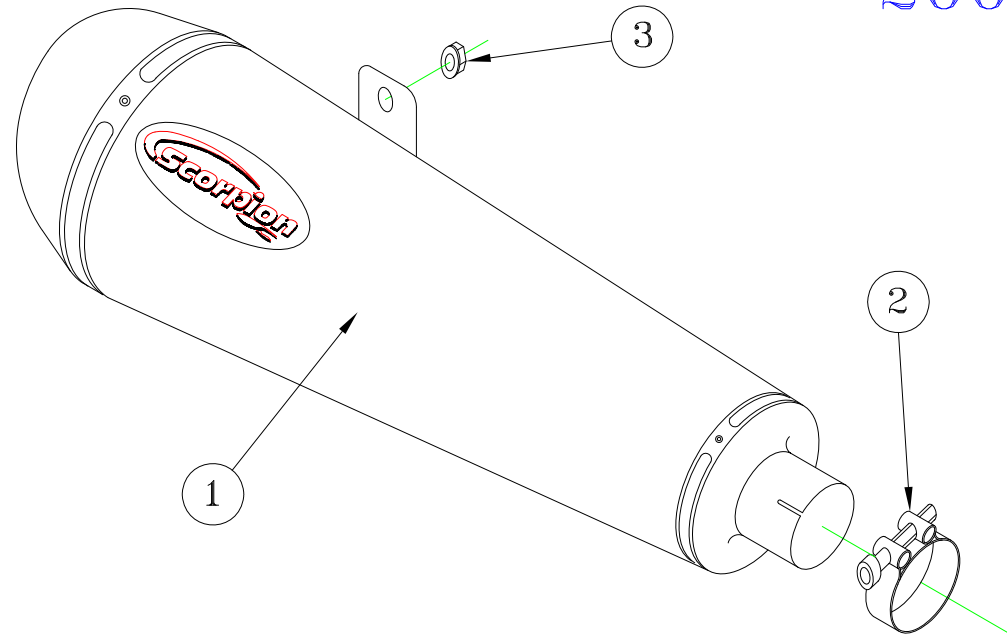


Where not supplied use original fittings

YAMAHA
YZF600 R6
2006-0n



Part No. EYA-73

- ① 275mm Coned Silencer ESC86
- ② 47-51mm Band Clamp (Z016.10003)
- ③ M8 Nyloc Nut (Z017.10062)
- ④ 100mm Cable-Tie (Z017.12732)

Photo Fitting Instructions

E-Mark Oval	SC-86 e4 2217
Issue No.	6
Date	08/08/08
Authorised	S.NORTHROP

Note :- ENSURE SCORPION SYSTEM IS CLEAR OF MOVING PARTS AND ALL ORIGINAL FUNCTIONS WORK CORRECTLY

YAMAHA 2006 R6

SCORPION SILENCER FITTING INSTRUCTIONS



1. Remove lower fairing bolt to aid access to OE silencer clamp



2. Remove the three bolts shown to expose the exup valve & cables



3. Disconnect the cables by unscrewing the adjusting nuts & lift the nipples out of the wheel

4. You can now remove the OE silencer by removing the clamp & top hanging bolt



5. Before fitting the Scorpion silencer, use the cable-tie to safely attach the loose cables to the lambda sensor wire & trim the cable-tie.



6. Fit the Scorpion silencer with the new clamp & OE bolt and fasten securely with the Nyloc nut, then tighten the clamp.

Ensure all cables and any fitments are secured safely and all original functions work correctly prior to use.

Issue No:- 1

Date:- 03/02/06

Authorised:- 