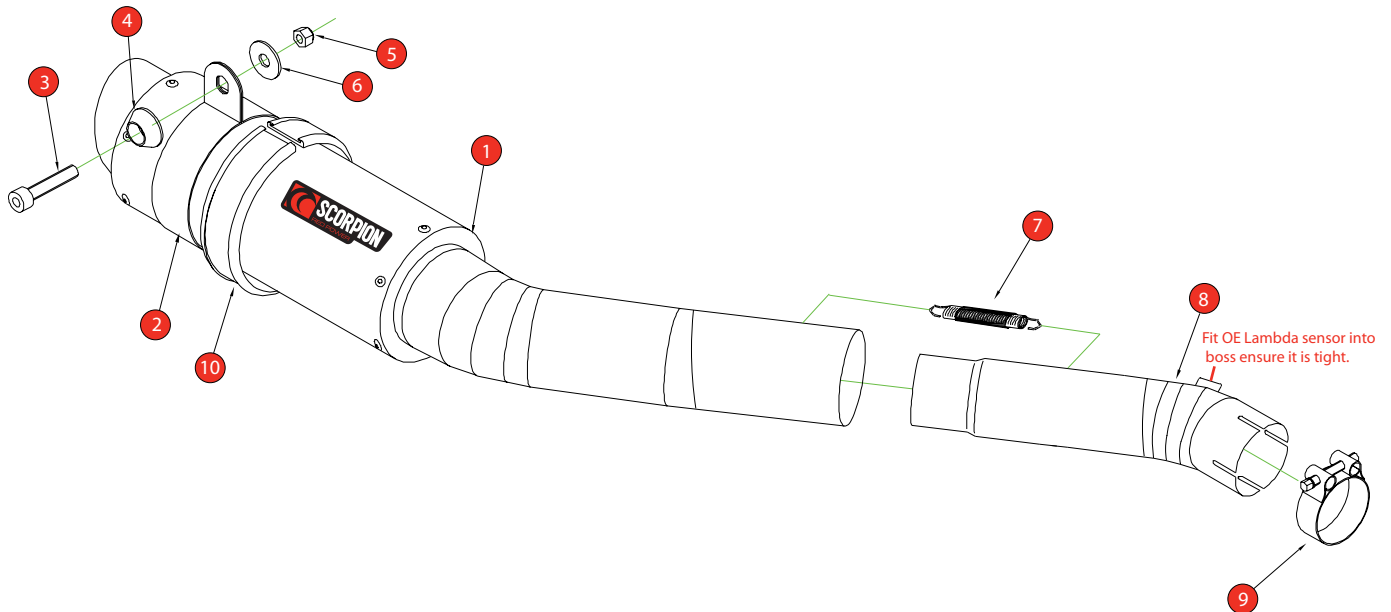


Box: PLOCK 2

BIKE	SUZUKI GSXR 1000	PART NO.	SI-1003
YEAR	2007 - 2008	FIT KITS	Z039.10386
NOTES		FEATURES	DB KILLER Z028.20129



- | | |
|--|---|
| 1 225mm RP-1 GP Silencer with intergrated CP 577 | 8 Connecting pipe CP 576 |
| 2 Titanium Silencer Strap (Z028.10013) | 9 59-63mm Band Clamp (Z016.10001) |
| 3 M8x40mm Cap Head Bolt (Z017.10076) | 10 Square edge rubber (275mm long) (Z029.10024) |
| 4 Bolt Finisher (Z026.20068) | |
| 5 M8 Nyloc Nut (Z017.10062) | |
| 6 M8x17mm Washer (Z017.10831) | |
| 7 Rubber Sleeved spring (Z028.10030) | |

E-MARK	BSAU 193a 1990/t3
ISSUE NO.	3
DATE	16/11/11
AUTHORISED	S.PEPPER
CHECKED	

NOTE: ENSURE SCORPION SYSTEM IS CLEAR OF MOVING PARTS AND ALL ORIGINAL FUNCTIONS WORK CORRECTLY.

A) Remove original exhaust from bike, taking care to keep all original components in a safe place.

B) Refit Scorpion exhaust as per line diagram above.

C) When fitted take bike for a short ride to ensure all functions are correct.

D) When bike & exhaust are cool enough check all nuts and bolts are still secure.

