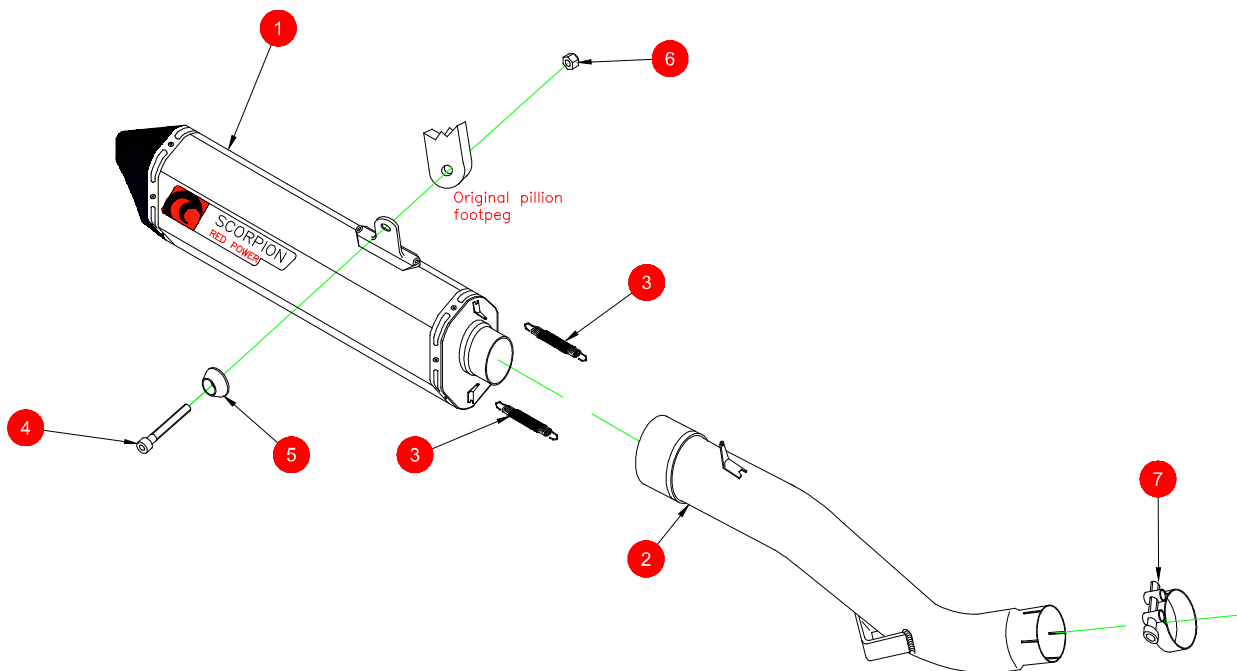


Box: PLOCK 1

| | | | |
|-------|--|----------|-------------------------|
| BIKE | HONDA Crosstourer | PART NO. | RHA - 156 |
| YEAR | 2012- | FIT KITS | Z039.10518 |
| NOTES | Where not supplied use original fittings Fits with or without panniers. | FEATURES | DB KILLER Z038.10043(V) |



- 1 Serket Silencer 400mm RSC301
- 2 Connecting Pipe CP783
- 3 2 x Rubber Coated Springs (Z028.10030)
- 4 M8x50mm Cap Head Bolt (Z017.10078)
- 5 Alloy Bolt Finisher (Z026.20068)
- 6 M8 Nyloc Nut (Z017.10062)
- 7 43-47mm Band Clamp (Z016.10008)

| | |
|------------|-----------------|
| E-MARK | SCDB-OS e4 2072 |
| ISSUE NO. | 0 |
| DATE | 14.04.14 |
| AUTHORISED | T. Rowley |
| CHECKED | |

NOTE: ENSURE SCORPION SYSTEM IS CLEAR OF MOVING PARTS AND ALL ORIGINAL FUNCTIONS WORK CORRECTLY.

A) Remove original exhaust from bike, taking care to keep all original components in a safe place.

B) Refit Scorpion exhaust as per line diagram above.

C) When fitted take bike for a short ride to ensure all functions are correct.

D) When bike & exhaust are cool enough check all nuts and bolts are still secure.

Cleaning instructions overleaf:

Box: PLOCK 1

| | | | |
|-------|-------------------|----------|-------------------------|
| BIKE | HONDA Crosstourer | PART NO. | RHA - 157 |
| YEAR | 2012- | FIT KITS | Z039.10518 |
| NOTES | | FEATURES | DB KILLER Z038.10043(V) |

Thank you for purchasing your Scorpion Silencer.

Care of your exhaust: Please refrain from cleaning silencer with heavy solvents or abrasives!

Vielen Dank Für den kauf eines Scorpion Schalldampfers! Pflegehinweis: Bitte verwenden Sie niemals Scheuermittel oder aggressive Reiniger zur Pflege Ihres Auspuffes!

Merci d'avoir choisi un echappement Scorpion.

Entretien de votre silencieux: Ne pas utiliser de solvants ou de produits abrasifs!

"Muchas gracias por adquirir un Silencioso Scorpion. Le recomendamos no limpiar el silencioso con productos abrasivos o aquellos que contengan disolventes."